

P/N: 83250-0101

Copyright

© 2018, FLIR Systems, Inc.

All rights reserved worldwide. Names and marks appearing herein are either registered trademarks or trademarks of FLIR Systems and/or its subsidiaries. All other trademarks, trade names or company names referenced herein are used for identification only and are the property of their respective owners.

Document identity

Publ. No.: 83250-0101

Release:

Commit: 47935

Language: en-US

Modified: 2018-03-06

Formatted: 2018-03-28

Website

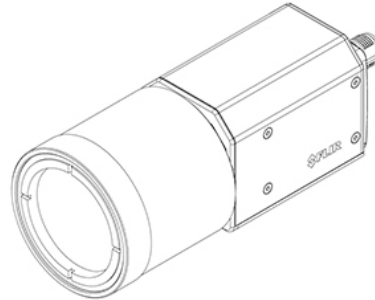
<http://www.flir.com>

Customer support

<http://support.flir.com>

Disclaimer

Specifications subject to change without further notice. Camera models and accessories subject to regional market considerations. License procedures may apply. Products described herein may be subject to US Export Regulations. Please refer to exportquestions@flir.com with any questions.



General description

The FLIR A35 has features and functions that make it the natural choice for anyone who uses PC software to solve problems and for whom 320 × 256 pixel resolution is sufficient.

Among its main features are GigE Vision and GenICam compliance, which makes it plug-and-play when used with software packages such as IMAQ Vision and Halcon.

Key features:

- Very affordable.
- Compact
- GigE Vision and GenICam compliant.
- GigE Vision lockable connector.
- PoE (power over Ethernet).
- 8-bit 320 × 256 pixel images streamed at 60 Hz, signal linear.
- 14-bit 320 × 256 pixel images streamed at 60 Hz, signal and temperature linear.
- High frame rates (60 Hz).
- Synchronization between cameras possible.
- 1x+1x GPIO.
- Compliant with any software that supports GenICam, including National Instruments IMAQ Vision, Stemmers Common Vision Blox, and COGNEX Vision Pro.

Typical applications:

- Automation and thermal machine vision.
- Entry level "high-speed" R&D.

Imaging and optical data

IR resolution	320 × 256 pixels
Thermal sensitivity/NETD	< 0.05°C @ +30°C (+86°F) / 50 mK
Field of view (FOV)	6.5° × 5°
Minimum focus distance	1.5 m (59 in.)
Focal length	50 mm (1.97 in.)
Spatial resolution (IFOV)	0.340 mrad
F-number	1.2
Image frequency	60 Hz
Focus	Fixed

P/N: 83250-0101

© 2018, FLIR Systems, Inc.


#83250-0101; r. /47935; en-US

Detector data	
Detector type	Focal plane array (FPA), uncooled VOX microbolometer
Spectral range	7.5–13 μm
Detector pitch	17 μm
Detector time constant	Typical 12 ms
Measurement	
Object temperature range	<ul style="list-style-type: none"> –25 to +100°C (–13 to 212°F) –40 to +550°C (–40 to +1022°F)
Accuracy	$\pm 5^\circ\text{C}$ ($\pm 9^\circ\text{F}$) or $\pm 5\%$ of reading
Measurement analysis	
Atmospheric transmission correction	Automatic, based on inputs for distance, atmospheric temperature and relative humidity
Optics transmission correction	Automatic, based on signals from internal sensors
Emissivity correction	Variable from 0.5 to 1.0
Reflected apparent temperature correction	Automatic, based on input of reflected temperature
External optics/windows correction	Automatic, based on input of optics/window transmission and temperature
Measurement corrections	Global object parameters
Ethernet	
Ethernet	Control and image
Ethernet, type	Gigabit Ethernet
Ethernet, standard	IEEE 802.3
Ethernet, connector type	RJ-45
Ethernet, communication	GigE Vision ver. 1.2 Client API GenICam compliant
Ethernet, image streaming	8-bit monochrome @ 60 Hz <ul style="list-style-type: none"> Signal linear/ DDE Automatic/ Manual Flip H&V 14-bit 320 x 256 pixels @ 60 Hz <ul style="list-style-type: none"> Signal linear/ DDE Temperature linear GigE Vision and GenICam compatible
Ethernet, power	Power over Ethernet, PoE IEEE 802.3af class 0 Power
Ethernet, protocols	TCP, UDP, ICMP, IGMP, DHCP, GigEVision
Digital input/output	
Digital input, purpose	General purpose
Digital input	1x opto-isolated, "0" <1.2 VDC, "1" = 2–25 VDC.
Digital output, purpose	General purpose output to ext. device (programmatically set)

P/N: 83250-0101

© 2018, FLIR Systems, Inc.

#83250-0101; r. /47935; en-US

Digital input/output	
Digital output	1× opto-isolated, 2–40 VDC, max. 185 mA
Digital I/O, isolation voltage	500 VRMS
Digital I/O, supply voltage	2–40 VDC, max. 200 mA
Digital I/O, connector type	12-pole M12 connector (shared with Digital synchronization and External power)
Synchronization in, purpose	Frame synchronization in to control camera
Synchronization in	1×, non-isolated
Synchronization in, type	LVC Buffer @3.3V, "0" <0.8 V, "1">2.0 V.
Synchronization out, purpose	Frame synchronization out to control another FLIR Ax5 camera
Synchronization out	1×, non-isolated
Synchronization out, type	LVC Buffer @ 3.3V, "0"=24 MA max, "1"= -24 mA max.
Digital synchronization, connector type	12-pole M12 connector (shared with Digital I/O and External power)
Power system	
External power operation	12/24 VDC, < 3.5 W nominal < 6.0 W absolute max.
External power, connector type	12-pole M12 connector (shared with Digital I/O and Digital Synchronization)
Voltage	Allowed range 10–30 VDC
Environmental data	
Operating temperature range	-15°C to +60°C (+5°F to +140°F)
	<div style="border: 1px solid black; padding: 5px;"> <p> NOTE</p> <p>The operating temperature range assumes that the camera is mounted on the base support (included in the package) or a similar type of heatsink.</p> </div>
Storage temperature range	-40°C to +70°C (-40°F to +158°F)
Humidity (operating and storage)	IEC 60068-2-30/24 h 95% relative humidity +25° C to +40°C (+77°F to +104°F)
EMC	<ul style="list-style-type: none"> • EN 61000-6-2 (Immunity) • EN 61000-6-3 (Emission) • FCC 47 CFR Part 15 Class B (Emission)
Encapsulation	IP 40 (IEC 60529) with base support mounted
Shock	25 g (IEC 60068-2-27)
Vibration	2 g (IEC60068-2-6) and MIL-STD810G
Physical data	
Camera size (L × W × H)	141.1 × 58.4 × 58.4 mm (5.7 × 2.3 × 2.3 in.)
Tripod mounting	1 × UNC ¼"-20 (with Base support accessory, included in the delivery box)

P/N: 83250-0101

© 2018, FLIR Systems, Inc.

#83250-0101; r. /47935; en-US

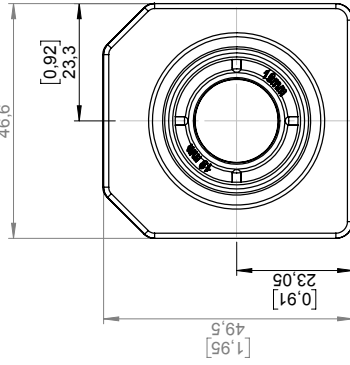
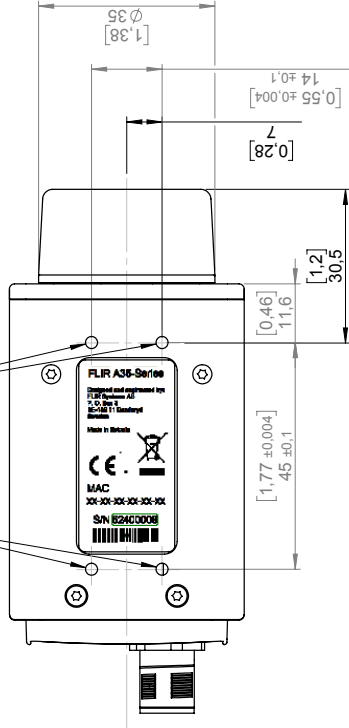
Physical data	
Base mounting	4 × M3 thread mounting holes (bottom)
Housing material	Magnesium and aluminum
Shipping information	
Packaging, type	Cardboard box
List of contents	<ul style="list-style-type: none">• Infrared camera with lens• Base support• Printed documentation
EAN-13	7332558014431
UPC-12	845188016494
Country of origin	Sweden

Supplies & accessories:

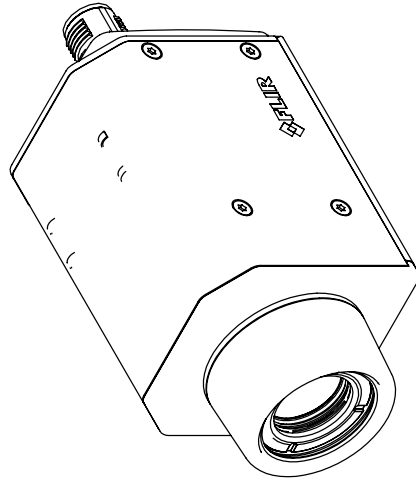
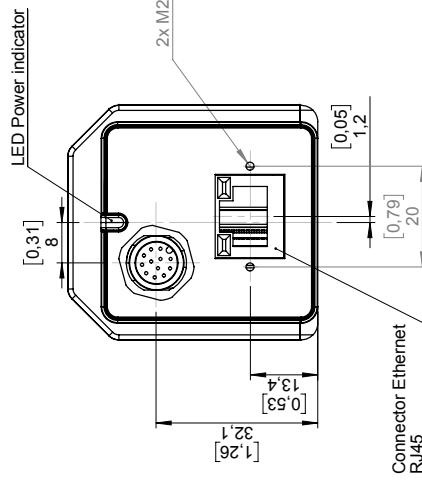
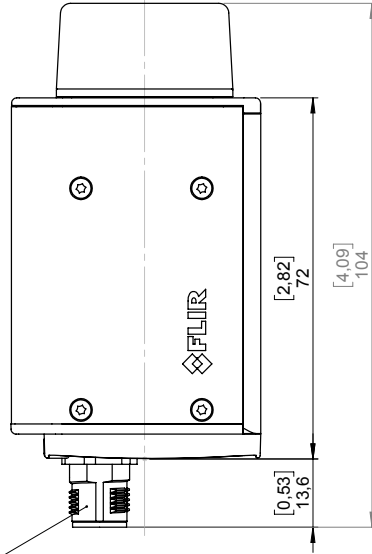
- T951004ACC; Ethernet cable CAT6, 2 m/6.6 ft.
- T198349; Base support
- T198348; Cable kit Mains (UK,EU,US)
- T127605ACC; Cable M12 Pigtail
- T127606ACC; Cable M12 Sync
- T199698; Environmental housing for Ax5
- T199356; FLIR Ax5 accessory starter kit
- T198342ACC; Focus adjustment tool
- T911183; Gigabit PoE injector 16 W, with multi-plugs
- T198392; Table stand kit
- T198594ACC; Transport case Ax5
- T198584; FLIR Tools
- T198583; FLIR Tools+ (download card incl. license key)
- T199233; FLIR Atlas SDK for .NET
- T199234; FLIR Atlas SDK for MATLAB

Basic dimensions
for cameras with
focal length:
f= 7,5 mm
f= 9 mm
f=13 mm
f=19 mm

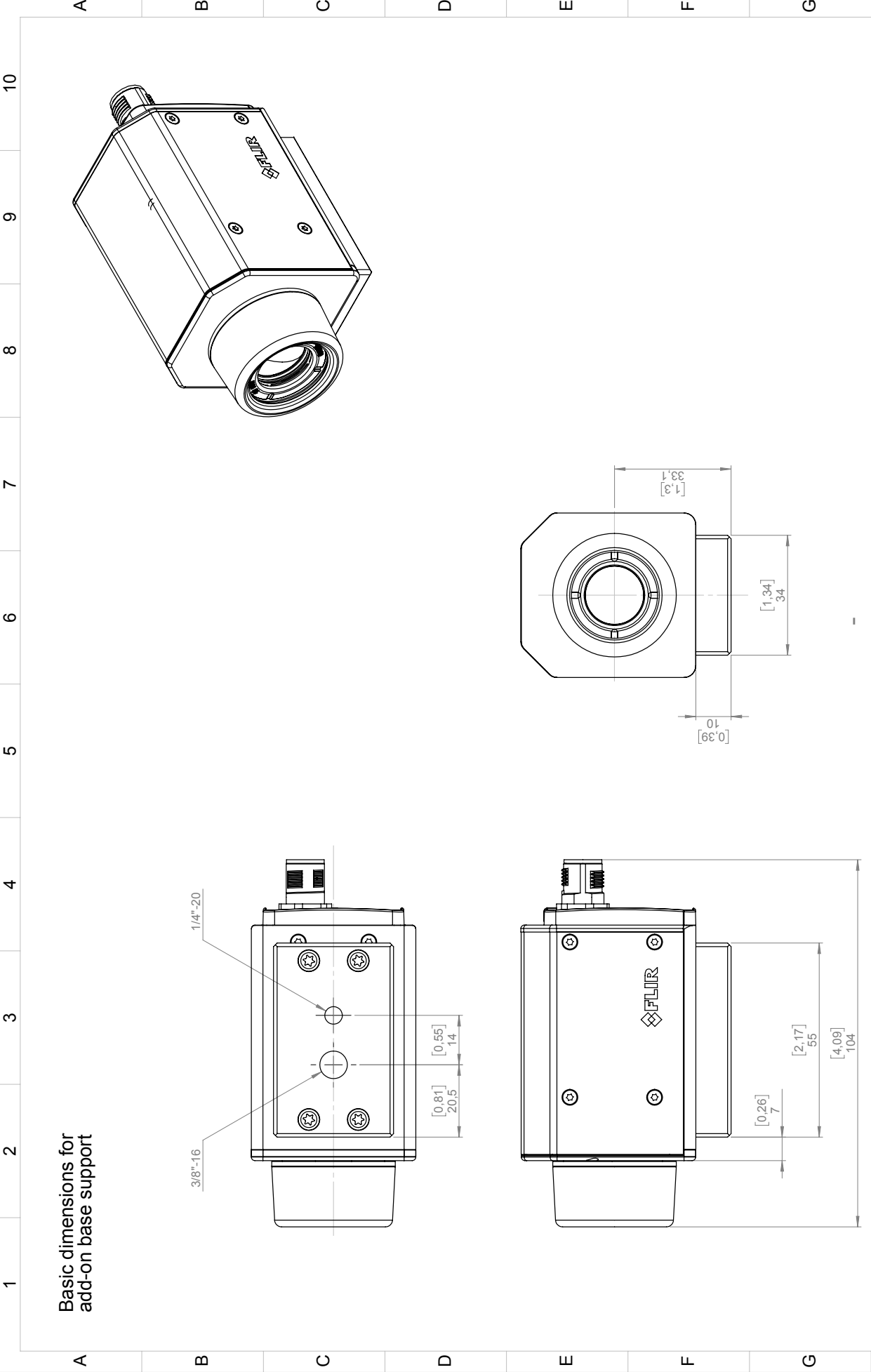
4x M3
Depth max 4 mm



Connector GP I/O
M12 12-pin



Konstr/Drawing	P. MARCUS	Kontroll/Check	-	Material	-
Datum/Date	2015-12-14	Ändrad/Modified	2016-10-18	Ytbehandling/Surface treatment	-
Ändrad av/Modified by	P. MARCUS	Ra	µm	Slip/Surface	1:1
Där ej annat anges/tjocklek ellers annars så som		Benämning/Denomination		ArtNo.	1(7)
Genl. till ISO 2768-MK		Basic dimensions Ax5 w. flag shutter		Ritning/Drawing No.	T129297
Ultragång ut/except from ISO 2768-m		f=7,5 mm to f=100 mm		Rev	-002
0,5-6					
±0,1					
±0,2					
±0,3					
±0,5					
±0,8					
±1,0					
±1,2					
±1,5					
±2,0					
±2,5					
±3,0					
±4,0					
±5,0					
±6,3					
±8,0					
±10					
±12,5					
±16					
±20					
±25					
±31,5					
±40					
±50					
±63					
±80					
±100					
±125					
±160					
±200					
±250					
±315					
±400					
±500					
±630					
±800					
±1000					
±1250					
±1600					
±2000					
±2500					
±3150					
±4000					
±5000					
±6300					
±8000					
±10000					
±12500					
±16000					
±20000					
±25000					
±31500					
±40000					
±50000					
±63000					
±80000					
±100000					
±125000					
±160000					
±200000					
±250000					
±315000					
±400000					
±500000					
±630000					
±800000					
±1000000					
±1250000					
±1600000					
±2000000					
±2500000					
±3150000					
±4000000					
±5000000					
±6300000					
±8000000					
±10000000					
±12500000					
±16000000					
±20000000					
±25000000					
±31500000					
±40000000					
±50000000					
±63000000					
±80000000					
±100000000					
±125000000					
±160000000					
±200000000					
±250000000					
±315000000					
±400000000					
±500000000					
±630000000					
±800000000					
±1000000000					
±1250000000					
±1600000000					
±2000000000					
±2500000000					
±3150000000					
±4000000000					
±5000000000					
±6300000000					
±8000000000					
±10000000000					
±12500000000					
±16000000000					
±20000000000					
±25000000000					
±31500000000					
±40000000000					
±50000000000					
±63000000000					
±80000000000					
±100000000000					
±125000000000					
±160000000000					
±200000000000					
±250000000000					
±315000000000					
±400000000000					
±500000000000					
±630000000000					
±800000000000					
±1000000000000					
±1250000000000					
±1600000000000					
±2000000000000					
±2500000000000					
±3150000000000					
±4000000000000					
±5000000000000					
±6300000000000					
±8000000000000					
±10000000000000					
±12500000000000					
±16000000000000					
±20000000000000					
±25000000000000					
±31500000000000					
±40000000000000					
±50000000000000					
±63000000000000					
±80000000000000					
±100000000000000					
±125000000000000					
±160000000000000					
±200000000000000					
±250000000000000					
±315000000000000					
±400000000000000					
±500000000000000					
±630000000000000					
±800000000000000					
±1000000000000000					
±1250000000000000					
±1600000000000000					
±2000000000000000					
±2500000000000000					
±3150000000000000					
±4000000000000000					
±5000000000000000					
±6300000000000000					
±8000000000000000					
±10000000000000000					
±12500000000000000					
±16000000000000000					
±20000000000000000					
±25000000000000000					
±31500000000000000					
±40000000000000000					
±50000000000000000					
±63000000000000000					
±80000000000000000					
±100000000000000000					
±125000000000000000					
±160000000000000000					
±200000000000000000					
±250000000000000000					
±315000000000000000					
±400000000000000000					
±500000000000000000					
±630000000000000000					
±800000000000000000					
±1000000000000000000					
±1250000000000000000					
±1600000000000000000					
±2000000000000000000					
±2500000000000000000					
±3150000000000000000					
±4000000000000000000					
±5000000000000000000					
±6300000000000000000					
±8000000000000000000					
±10000000000000000000					
±12500000000000000000					
±16000000000000000000					
±20000000000000000000					
±25000000000000000000					
±31500000000000000000					
±40000000000000000000					
±50000000000000000000					
±63000000000000000000					
±80000000000000000000					
±100000000000000000000					
±125000000000000000000					
±160000000000000000000					
±200000000000000000000					
±250000000000000000000					
±315000000000000000000					
±400000000000000000000					
±500000000000000000000					
±630000000000000000000					
±800000000000000000000					
±1000000000000000000000					
±1250000000000000000000					
±1600000000000000000000					
±2000000000000000000000					
±2500000000000000000000					
±3150000000000000000000					
±4000000000000000000000					
±5000000000000000000000					
±6300000000000000000000					
±8000000000000000000000					
±10000000000000000000000					
±12500000000000000000000					
±16000000000000000000000					
±20000000000000000000000					
±25000000000000000000000					
±31500000000000000000000					
±40000000000000000000000					
±50000000000000000000000					
±63000000000000000000000					
±80000000000000000000000					
±100000000000000000000000					
±125000000000000000000000					
±160000000000000000000000					
±200000000000000000000000					



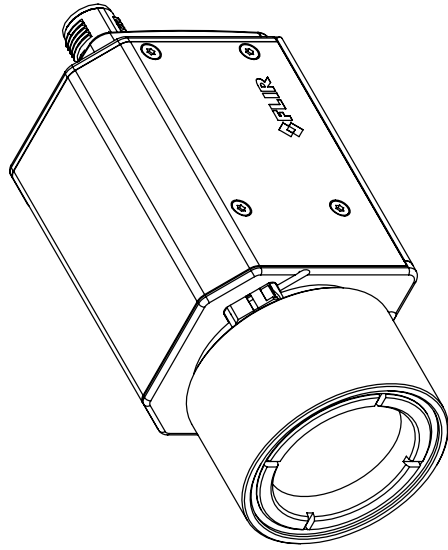
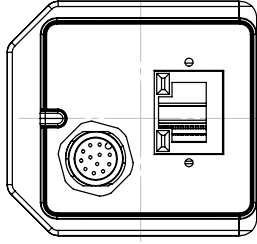
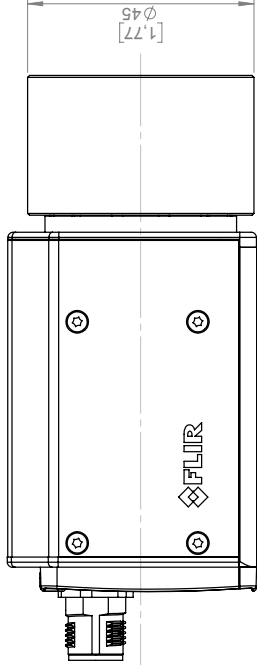
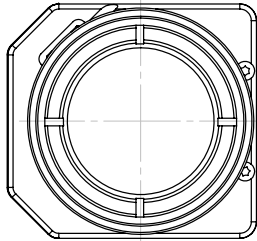
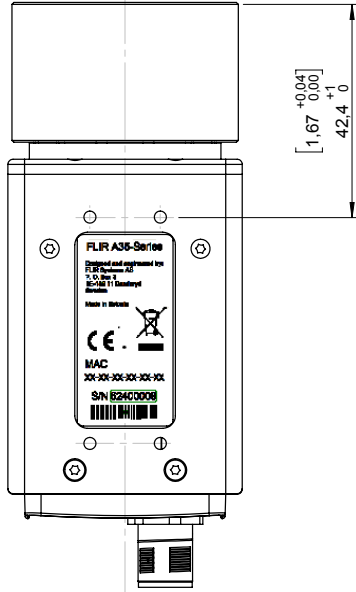
Basic dimensions for
add-on base support

		Konstr/Drawing P. MARCUS		Datum/Date 2015-12-14		Konstr/Check -		Material -	
Avändr/Modified by P. MARCUS		Avändr/Modified 2016-10-18		Ytjämnhet/Roughness Ra		Ytbehandling/Surface treatment -		Skala/Scale 1:1	
Ditt ej annat anges/Unless otherwise stated ISO 2768-mK		Benämning/Denomination Basic dimensions Ax5 w. flag shutter f=7,5 mm to f=100 mm		Blad/Sheet 2(7)		AritNo. -		Rev -002	
Utmått ur/Exempt from ISO 2768-m 0,50 ±0,1 Hållåtgärder (30)-120 ±0,3 FLIR: radi (40)-400 ±0,5 Kanter brutna (40)-1600 ±0,5 Edges broken		Ritm nr/Drawing No T129297		AritNo. -		Blad/Sheet 2(7)		Rev -002	

FLIR SYSTEMS AB
 Any infringement will lead to legal proceedings.
 This document must not be communicated or
 copied completely or in part, without our permission.

FLIR SYSTEMS AB
 Omna handling får ej delges annan, kopieras
 eller i sin helhet eller delar utan vårt medgivande.
 This document may be used for internal purposes
 only. Any infringement will lead to legal proceedings.

Basic dimensions:
 Camera with focal length
 f=35 mm IR lens.
 Only dimensions valid for
 this IR lens.
 For all other dimensions see pages
 1 and 2.



Konstr/Drawn	P. MARCUS	Datum/Date	2015-12-14	Kontroll/Check	Material	
Ändrad av/Modified by	P. MARCUS	Ändrad/Modified	2016-10-18	Ytjämnhet/Roughness	YBehandling/Surface treatment	
		Benämning/Denomination		Ra	µm	
Dir ej ansvar änges/Unless otherwise stated Gen tot ISO 2768-mK Utvaga ut/Exempt from ISO 2768-m 0,5-30 40,1 Hålltoleranser (30)-120 40,3 Flökt/Leakt (120)-400 40,5 Kontor brutna (40)-1600 40,6 Edger broken						
Basic dimensions Ax5 w. flag shutter f=7,5 mm to f=100 mm						
Skala/Scale	1:1	Blad/Sheet	4(7)	Blad/Sheet	Size	A3
ArtNo.		Rev		Rev		
		Ritn nr/Drawing No	T129297			-002

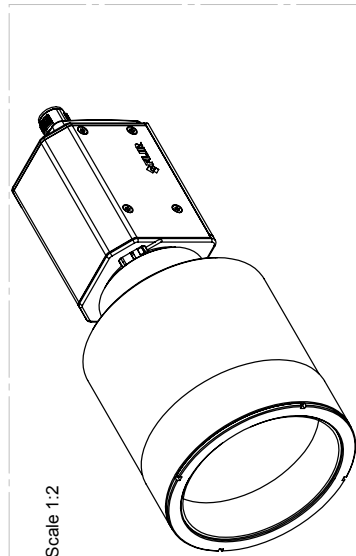
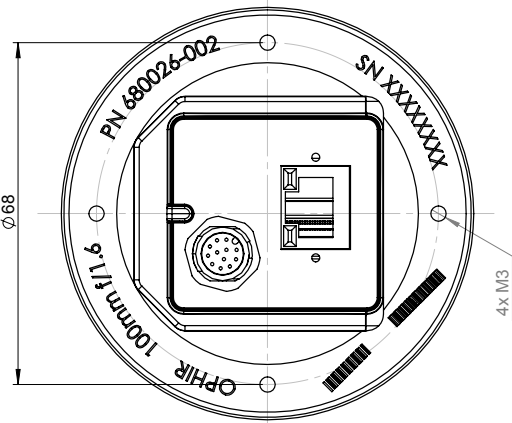
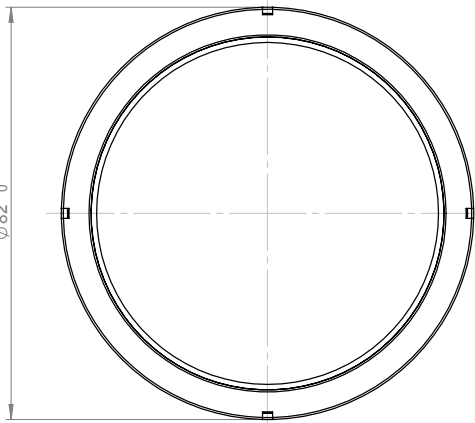
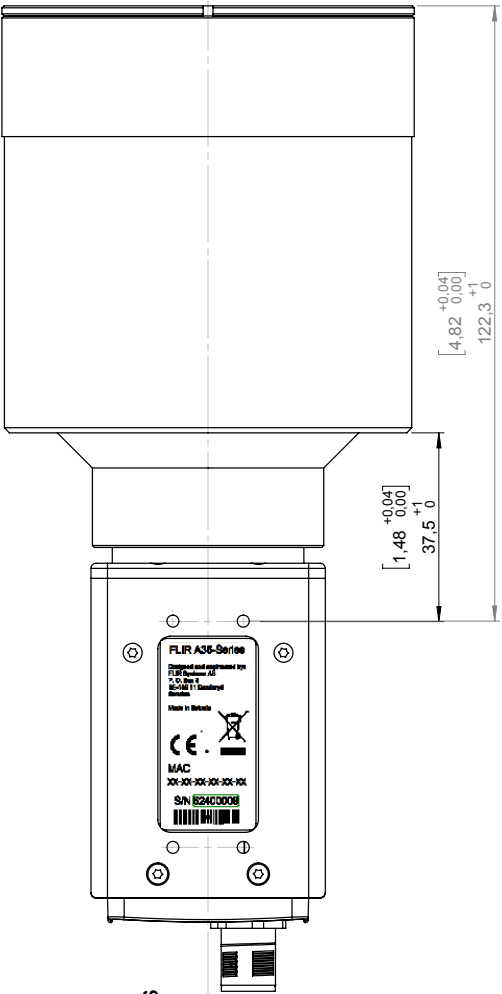


Rev
 T129297
 -002

This document must not be communicated or copied completely or in part, without our permission. Any infringement will lead to legal proceedings. FLIR SYSTEMS AB

Denna handling får ej delges annan, kopieras eller översattas helt eller delvis utan vårt medgivande. FLIR SYSTEMS AB

Basic dimensions:
 Camera with focal length
 f=100 mm IR lens.
 Only dimensions valid for
 this IR lens.
 For all other dimensions see pages
 1 and 2.



Konstruktör/Drawn	P. MARCUS	Datum/Date	2015-12-14	Kontroll/Check	-	Material	-
Ändrad av/Modified by	P. MARCUS	Ändrad/Modified	2016-10-18	Ytjämnhet/Roughness	Ra	Ytbehandling/Surface treatment	-
Dir. ej annat anges/Unless otherwise stated	Gen. tol. ISO 2768-mK	Benämning/Denomination		µm			
UTRAGE ur/Except from ISO 2768-m	0.5/0.2						
	(30)-120						
	(40)-400						
	(40)-1600						
	40.1						
	40.3						
	40.5						
	40.8						
	41.0						
	41.5						
	42.0						
	43.0						
	43.5						
	44.0						
	44.5						
	45.0						
	45.5						
	46.0						
	46.5						
	47.0						
	47.5						
	48.0						
	48.5						
	49.0						
	49.5						
	50.0						
	50.5						
	51.0						
	51.5						
	52.0						
	52.5						
	53.0						
	53.5						
	54.0						
	54.5						
	55.0						
	55.5						
	56.0						
	56.5						
	57.0						
	57.5						
	58.0						
	58.5						
	59.0						
	59.5						
	60.0						
	60.5						
	61.0						
	61.5						
	62.0						
	62.5						
	63.0						
	63.5						
	64.0						
	64.5						
	65.0						
	65.5						
	66.0						
	66.5						
	67.0						
	67.5						
	68.0						
	68.5						
	69.0						
	69.5						
	70.0						
	70.5						
	71.0						
	71.5						
	72.0						
	72.5						
	73.0						
	73.5						
	74.0						
	74.5						
	75.0						
	75.5						
	76.0						
	76.5						
	77.0						
	77.5						
	78.0						
	78.5						
	79.0						
	79.5						
	80.0						
	80.5						
	81.0						
	81.5						
	82.0						
	82.5						
	83.0						
	83.5						
	84.0						
	84.5						
	85.0						
	85.5						
	86.0						
	86.5						
	87.0						
	87.5						
	88.0						
	88.5						
	89.0						
	89.5						
	90.0						
	90.5						
	91.0						
	91.5						
	92.0						
	92.5						
	93.0						
	93.5						
	94.0						
	94.5						
	95.0						
	95.5						
	96.0						
	96.5						
	97.0						
	97.5						
	98.0						
	98.5						
	99.0						
	99.5						
	100.0						

Basic dimensions Ax5 w. flag shutter
 f=7,5 mm to f=100 mm



Scale/Scale 1:1
 A/RnA.
 Rn mDrawing No T129297
 Rev -002

