

## P/N: T198059

### Copyright

© 2014, FLIR Systems, Inc.

All rights reserved worldwide. Names and marks appearing herein are either registered trademarks or trademarks of FLIR Systems and/or its subsidiaries. All other trademarks, trade names or company names referenced herein are used for identification only and are the property of their respective owners.

### Document identity

Publ. No.: T198059

Release: -

Commit: 15419

Language: en-US

Modified: 2014-06-19

Formatted: 2014-06-22

### Corporate Headquarters

FLIR Systems, Inc.

27700 SW Parkway Ave.

Wilsonville, OR 97070

USA

Telephone: +1-503-498-3547

### Website

<http://www.flir.com>

### Customer support

<http://support.flir.com>

### Disclaimer

Specifications subject to change without further notice. Camera models and accessories subject to regional market considerations. License procedures may apply. Products described herein may be subject to US Export Regulations. Please refer to [exportquestions@flir.com](mailto:exportquestions@flir.com) with any questions.



General description	
For R&D usage or development purposes. As an example looking at PCB's or small electronic components.	
Imaging and optical data	
Field of view (FOV)	32 × 24 mm (40 mm diagonally)
Magnifying factor	2.9x
Working distance	84 mm
Depth of field	0.65 mm
Focal length	78 mm
Spatial resolution (IFOV)	50 μm
Lens identification	Manual
F-number	1.0
Number of lenses	2 (2 asph)
MTF @ 70% of FOV	Normal requirements (52%)
Distortion	3%
Lens note	The close-up lens is mounted on the 25° lens
Physical data	
Weight	0.197 kg (0.43 lb.)
Size (L × D)	32 × 67 mm
Front lens diameter	53 mm
Shipping information	
<ul style="list-style-type: none"> <li>• Lens</li> <li>• Front lens cap</li> <li>• Rear lens cap</li> <li>• Case</li> <li>• Instruction for mounting close-up lenses</li> </ul>	

### Compatible with the following products

- 55904-6521; FLIR T640 15°
- 55904-6621; FLIR T640 25°
- 55904-6721; FLIR T640 45°

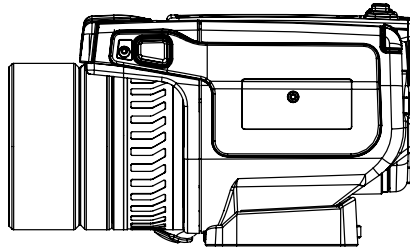
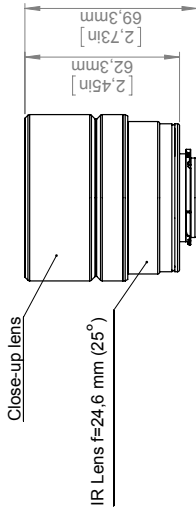
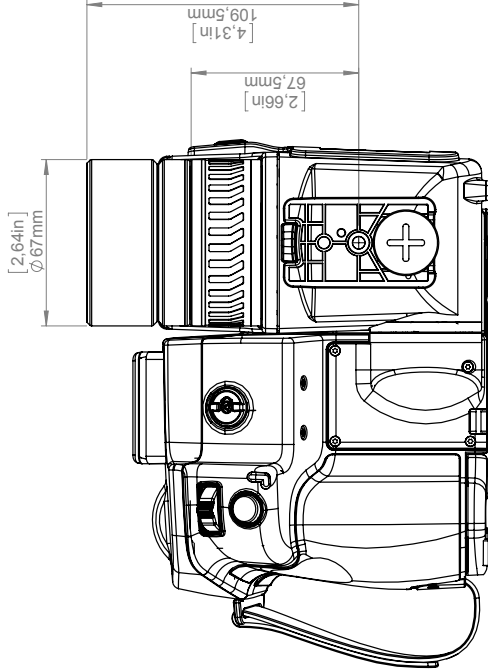
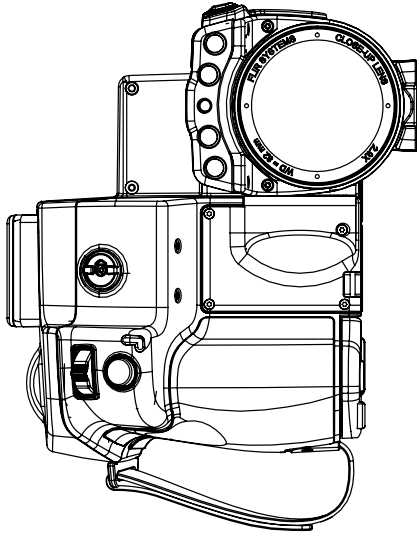
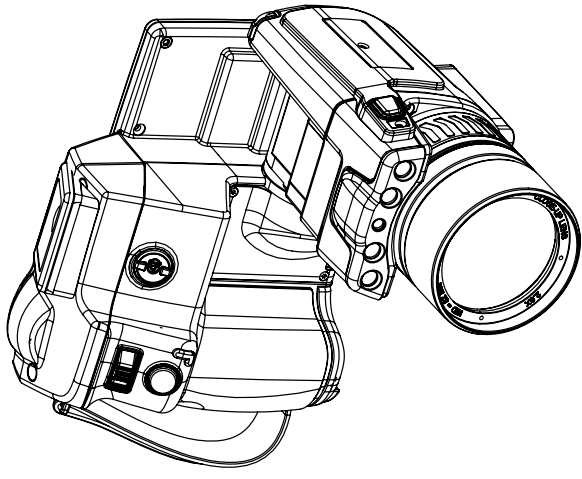
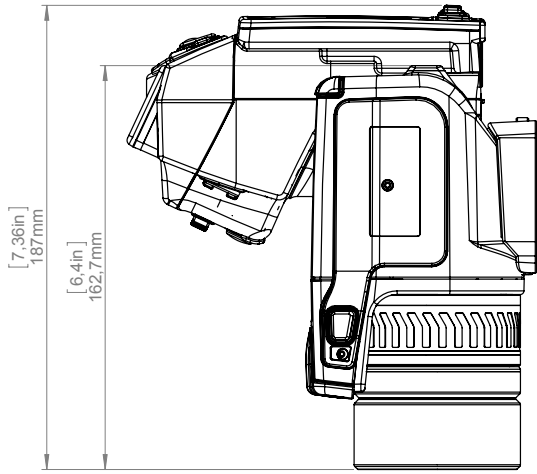
**P/N: T198059**

© 2014, FLIR Systems, Inc.

#T198059; r. -/15419; en-US

- 55904-6822; FLIR T640 15° (incl. Wi-Fi)
- 55904-6922; FLIR T640 25° (incl. Wi-Fi)
- 55904-7022; FLIR T640 45° (incl. Wi-Fi)
- 55904-7121; FLIR T640bx 15°
- 55904-7221; FLIR T640bx 25°
- 55904-7321; FLIR T640bx 45°
- 55904-7422; FLIR T640bx 15° (incl. Wi-Fi)
- 55904-7522; FLIR T640bx 25° (incl. Wi-Fi)
- 55904-7622; FLIR T640bx 45° (incl. Wi-Fi)
- 55904-7723; FLIR T650sc 15° (incl. Wi-Fi)
- 55904-7823; FLIR T650sc 25° (incl. Wi-Fi)
- 55904-7923; FLIR T650sc 45° (incl. Wi-Fi)
- 55903-4721; FLIR T620 15°
- 55903-4821; FLIR T620 25°
- 55903-4921; FLIR T620 45°
- 55903-5022; FLIR T620 15° (incl. Wi-Fi)
- 55903-5122; FLIR T620 25° (incl. Wi-Fi)
- 55903-5222; FLIR T620 45° (incl. Wi-Fi)
- 55903-5321; FLIR T620bx 15°
- 55903-5421; FLIR T620bx 25°
- 55903-5521; FLIR T620bx 45°
- 55903-5622; FLIR T620bx 15° (incl. Wi-Fi)
- 55903-5722; FLIR T620bx 25° (incl. Wi-Fi)
- 55903-5822; FLIR T620bx 45° (incl. Wi-Fi)
- 55904-5921; FLIR T630 15°
- 55904-6021; FLIR T630 25°
- 55904-6121; FLIR T630 45°
- 55904-6222; FLIR T630 15° (incl. Wi-Fi)
- 55904-6322; FLIR T630 25° (incl. Wi-Fi)
- 55904-6422; FLIR T630 45° (incl. Wi-Fi)
- 55903-3021; FLIR T610 15°
- 55903-3721; FLIR T610 25°
- 55903-3821; FLIR T610 45°
- 55903-8022; FLIR T610 15° (incl. Wi-Fi)
- 55903-3922; FLIR T610 25° (incl. Wi-Fi)
- 55903-4022; FLIR T610 45° (incl. Wi-Fi)
- 55903-0922; FLIR T600 15° (incl. Wi-Fi)
- 55903-1022; FLIR T600 25° (incl. Wi-Fi)
- 55903-1522; FLIR T600 45° (incl. Wi-Fi)
- 55903-2822; FLIR T600bx 25° (incl. Wi-Fi)
- 55903-2922; FLIR T600bx 45° (incl. Wi-Fi)
- 55001-0102; FLIR A615 25°
- 55001-0202; FLIR A645sc 25°
- 55001-0302; FLIR A655sc 25°

# Camera with Close-up lens 2,9X (50 μm)

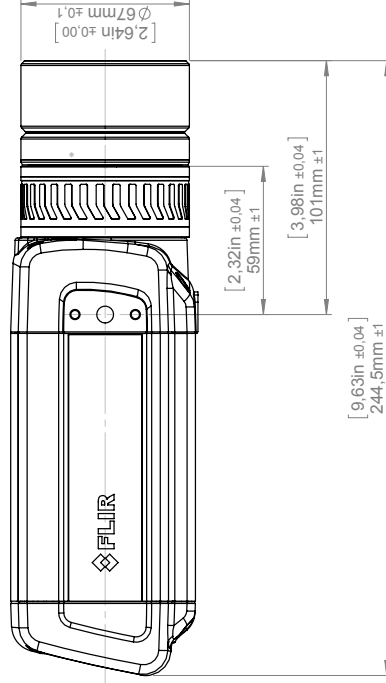
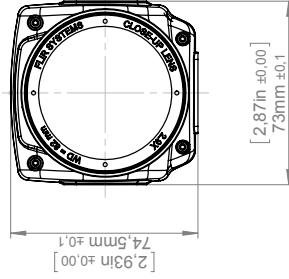
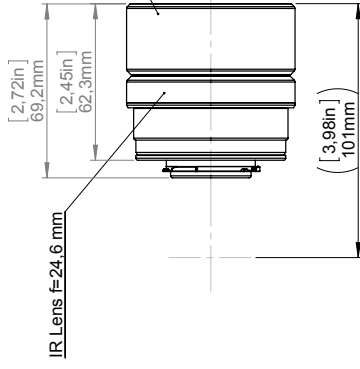
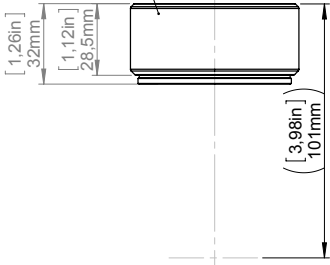
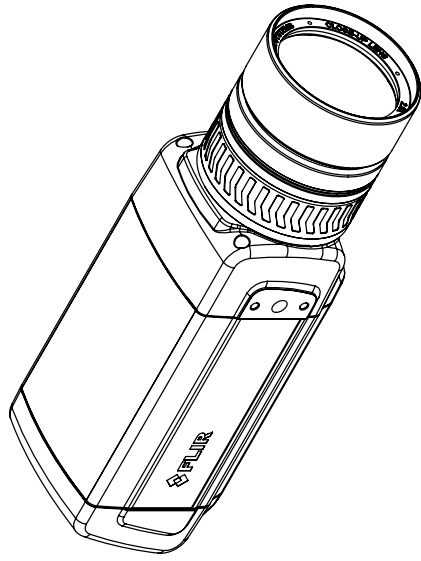


For additional dimensions see page 1

Modified 2012-04-19	Check CAHA	Drawn by R&D Thermography	Size A3	Sheet 8(9)
Denomination Basic dimensions FLIR T6xx			Scale 1:2	Size A
			Drawing No. T127424	



# Camera with Close-up lens 2,9X (50 μm)



© 2012, FLIR Systems, Inc. All rights reserved worldwide. No part of this drawing may be reproduced, stored in a retrieval system, or transmitted in any form, or by any means, electronic, mechanical, photocopying, recording, or otherwise, without written permission from FLIR Systems, Inc. Specifications subject to change without further notice. Dimensional data is based on nominal values. Products may be subject to regional market considerations. License procedures may apply. Product may be subject to US Export Regulations. Please refer to exportquestions@flir.com with any questions. Diversion contrary to US law is prohibited.

For additional dimensions see page 1

Modified 2012-04-18	Check CAHA	Drawn by R&D Thermography	Size A3	Sheet 8(9)
Denomination Basic dimensions FLIR A/SC 6xx			Scale 1:2	Size A
			Drawing No. T126925	

