

PocketE Pocket Thermal Camera



HIKMICRO Pocket Series has a high-resolution HIKMICRO VOx detector, an 0.3 MP optical camera, and a 3.5" LCD touch screen. It helps you quickly and efficiently locate hidden problems and accurately measure abnormal temperatures. The wide temperature range of -20°C to 350°C is ideal for building inspection, HVAC, electrical, and mechanical equipment maintenance. The 25 Hz frame rate keeps up with fast inspection, and the Wi-Fi function allows the Pocket to share images in real-time. The Pocket Series is a powerful thermography tool in your pocket, so it is always there whenever you need it.

Key Feature

- Thermal resolution: 96 × 96 (9,216 pixels), NETD: < 50 mK (@ 25°C, F# = 1.0)
- SuperIR: 240 × 240 (57,600 pixels)
- Accurately measure temperature from -20°C to 350°C (-4°F to 662°F)
- 112 : 1 Distance to spot ratio (D : S)
- Accuracy: Max. (± 2°C/3.6°F, ± 2%)
- 25 Hz image frequency
- Thermal, Fusion, PIP, Visual, and Blending modes
- Manual, automatic, and 1-Tap level and span
- High temperature alarm
- Built-in 4 GB memory
- LED work light
- 1.0× to 4.0× continuous digital zoom
- 0.3 MP visual camera
- Up to 4 hours continuous running

Specification

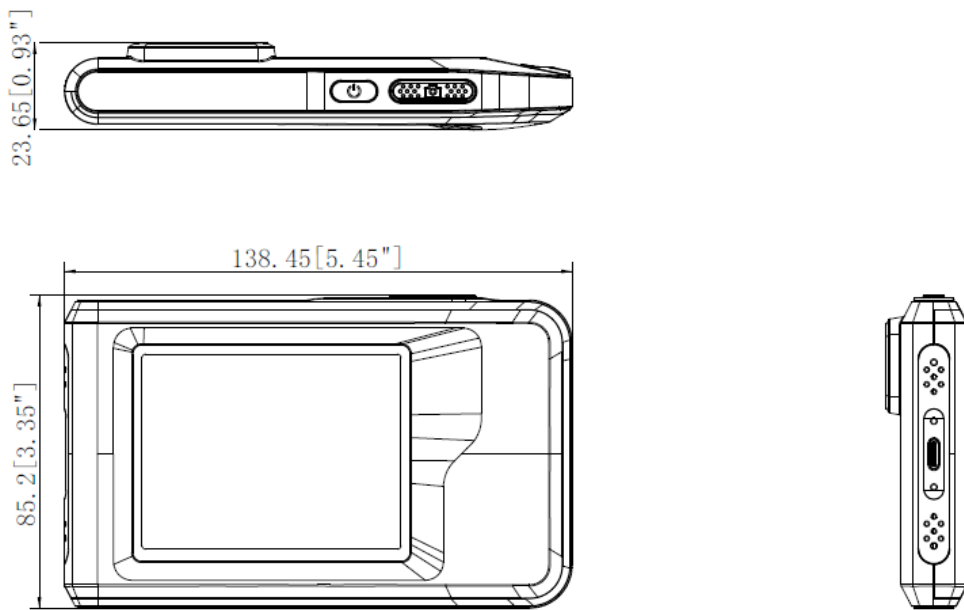
| Infrared Image | |
|--------------------------------|---|
| IR Resolution | 96 × 96 (9,216 pixels) |
| SuperIR | 240 × 240 (57,600 pixels) |
| Distance to Spot Ratio (D : S) | 112 : 1 |
| NETD | < 50 mK (@ 25°C, F# = 1.0) |
| Image Frequency | 25 Hz |
| Detector Pitch | 12 μm |
| Spectral Range | 7.5 μm to 14 μm |
| Focal Length | 1.35 mm |
| F-number | F1.0 |
| Field of View (FOV) | 50° × 50° |
| Spatial Resolution (IFOV) | 8.89 mrad |
| Min. Focus Distance | 0.1 m (0.33 ft) |
| Focus Mode | Focus Free |
| Image Display | |
| Visual Camera | 640 × 480 (0.3 MP) |
| Display | 320 × 240 Resolution, 3.5" LCD Touch Screen |
| Screen Brightness | Manual |
| Digital Zoom | 1.0× to 4.0× continuous |
| Color Palettes | White Hot, Black Hot, Rainbow, Ironbow, Red Hot, Fusion, Rain, Blue Red |
| Image Modes | Thermal/Visual/Fusion/PIP/Blending |
| Measurement and Analysis | |
| Object Temperature Range | -20°C to 350°C (-4°F to 662°F) |
| Accuracy | Max. (±2°C/3.6°F, ±2%) at ambient temperature 25°C (77°F) and object temperature above 0°C (32°F) |
| Measurement Tools | Center Spot, Hot Spot, Cold Spot |
| Level and Span Mode | Auto/Manual/1-Tap Touch-screen |
| Data Storage and Communication | |
| Storage Media | Built-in 4 GB flash memory |
| Image Storage Capacity | Approx. 30,000 Images |
| Annotations | Text note: max. 200 characters |
| Video Storage Capacity | Approx. 20 hours |
| Video File Format | MP4 video |
| General | |
| Wi-Fi | 802.11 b/g/n (2.4 GHz) |
| USB Interface | USB Type-C |
| LED Light | Yes |
| Battery Type | Rechargeable Li-ion battery |
| Battery Operating Time | Approx. 4 hours |
| Battery Charging Time | Approx. 2.5 hours fully charged |
| Protection Level | IP54 |
| Drop Test Height | 2 m (6.56 ft) |
| Working Temperature Range | -10°C to 50°C (-4°F to 122°F) |
| Storage Temperature Range | -20°C to 60°C (-4°F to 140°F) |

| | |
|-------------------|---|
| Relative Humidity | < 95% non-condensing |
| Weight | Approx. 218 g (0.481 lb) |
| Dimension | 138.45 mm × 85.2 mm × 23.6 mm (5.45" × 3.35" × 0.93") |
| Tripod Mounting | UNC ¼"-20 |

Available Model

PocketE

Dimension



Unit: mm[inch]

COMPLIANCE NOTICE: The thermal series products might be subject to export controls in various countries or regions, including without limitation, the United States, European Union, United Kingdom and/or other member countries of the Wassenaar Arrangement. Please consult your professional legal or compliance expert or local government authorities for any necessary export license requirements if you intend to transfer, export, re-export the thermal series products between different countries.



 HIKMICRO Thermography  hikmicro_thermography  HIKMICRO Thermography  HIKMICRO  info@hikmicrotech.com  <http://hikmicrotech.com/en>

© 2023 Hangzhou HIKMICRO Sensing Technology Co., Ltd. All Rights Reserved.
Data subject to change without notice!