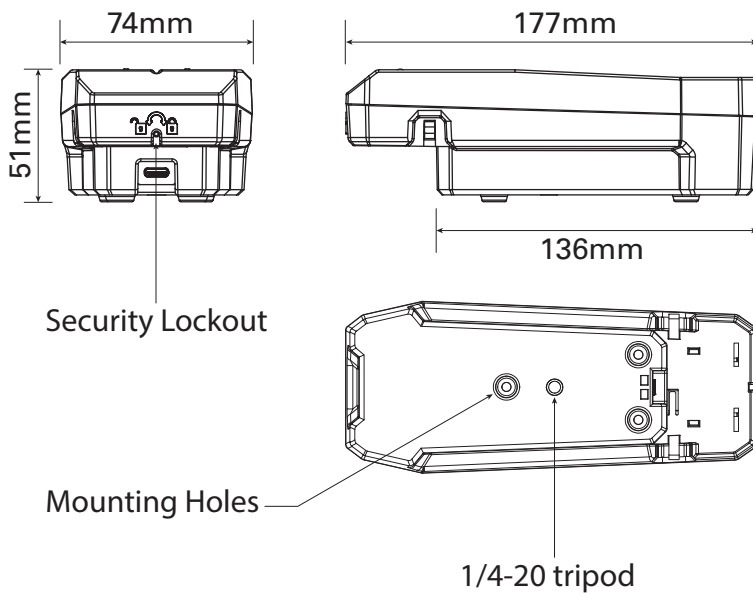




SCION DOCKING STATION

FLIR GTX100

Built for customization and flexibility, the GTX100 mounts to vertical and horizontal surfaces, including boat cabin walls and squad vehicle center consoles. A built-in locking feature securely latches the FLIR Scion thermal imaging monocular in place during prolonged vibration and abrupt directional shifts. The GTX100 charges FLIR GPX310 rechargeable batteries when used with Scion monoculars. Achieving an IP56 rating, the GTX100 is tested to withstand the most demanding environmental conditions.



SPECIFICATIONS

General	GTX100
Connector type	USB-C to USB-A
Locking system	Auto-lock with push-button release
Security	Security lockout for long term storage
Mounting	3-point bulkhead mount
Tripod mount	1/4-20 tripod mounting point
Environmental	IP56-rated
Operating temp	-30°C – 40°C
Storage Temp	-40°C – 70°C

NASDAQ: FLIR

Equipment described herein is subject to US export regulations and may require a license prior to export. Diversion contrary to US law is prohibited. Imagery for illustration purposes only. Specifications are subject to change without notice. ©2020 FLIR Systems, Inc. All rights reserved. Created 03/23/2020

20-0441-OTS - SCION-GTX100